

THIS DRAWING IS UNPUBLISHED.

RELEASED FOR PUBLICATION

2014

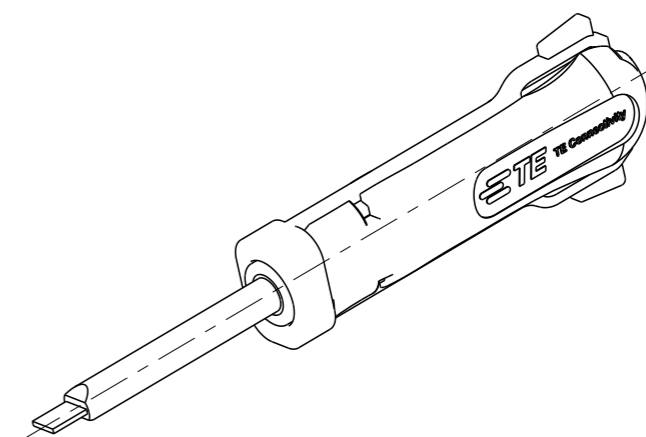
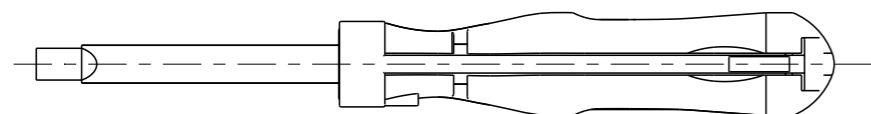
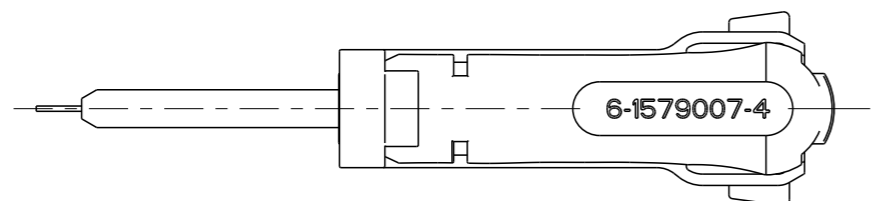
© COPYRIGHT 2014

TE Connectivity

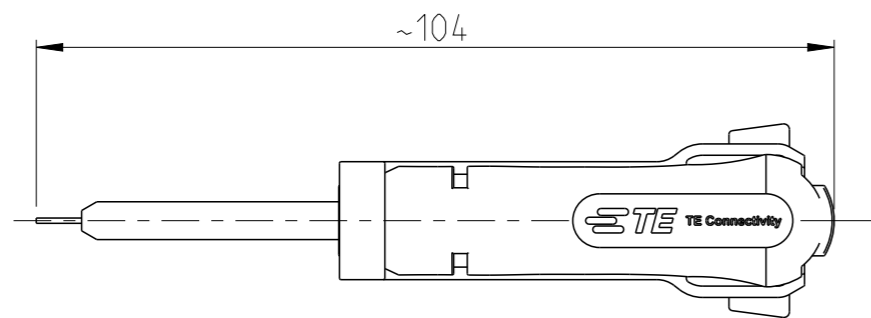
ALL RIGHTS RESERVED.

REVISIONS

| P | LTR | DESCRIPTION      | DATE      | DWN | APVD |
|---|-----|------------------|-----------|-----|------|
|   | A   | INITIAL REVISION | 26SEP2006 | CP  | HK   |
|   | B   | ECR-14-001739    | 06FEB2014 | MG  | GS   |
|   |     |                  |           |     |      |
|   |     |                  |           |     |      |



FOR CONTACTS: PQ



|  |  |                       |           |  |                    |
|--|--|-----------------------|-----------|--|--------------------|
| THIS DRAWING IS A CONTROLLED DOCUMENT. |  | DWN<br>C.Rapp         | 26SEP2006 |  |                    |
| DIMENSIONS:<br>mm                      |  | CHK<br>-              | -         |  |                    |
| TOLERANCES UNLESS OTHERWISE SPECIFIED: |  | APVD<br>H.Knapp       | 26SEP2006 | NAME<br>EXTRACTION TOOL<br>Entriegelungswerkzeug |                    |
|  |  | PRODUCT SPEC<br>-     | -         | RESTRICTED TO<br>-                               |                    |
| MATERIAL<br>-                          |  | APPLICATION SPEC<br>- | -         | SIZE<br>A3                                       | CAGE CODE<br>00779 |
| FINISH<br>-                            |  | WEIGHT<br>18g         | -         | DRAWING NO<br>C-6-1579007-4                      | SCALE<br>1:1       |
|  |  | Customer Drawing      | -         | SHEET<br>1 OF 1                                  | REV<br>B           |