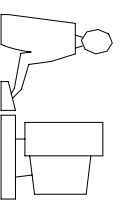
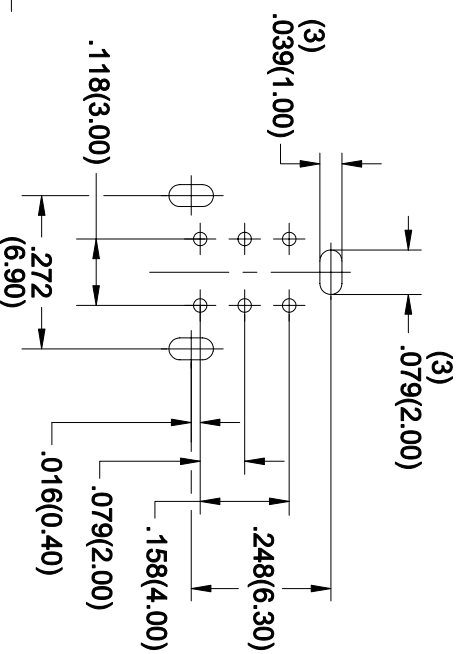
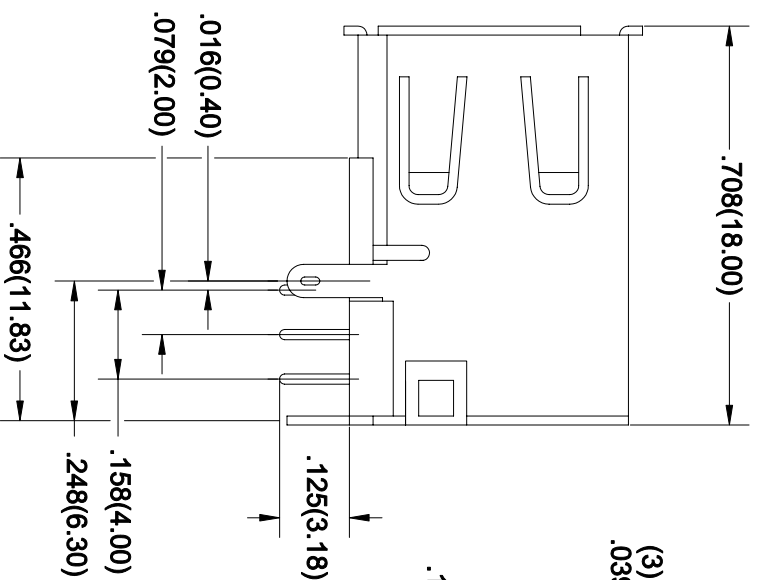
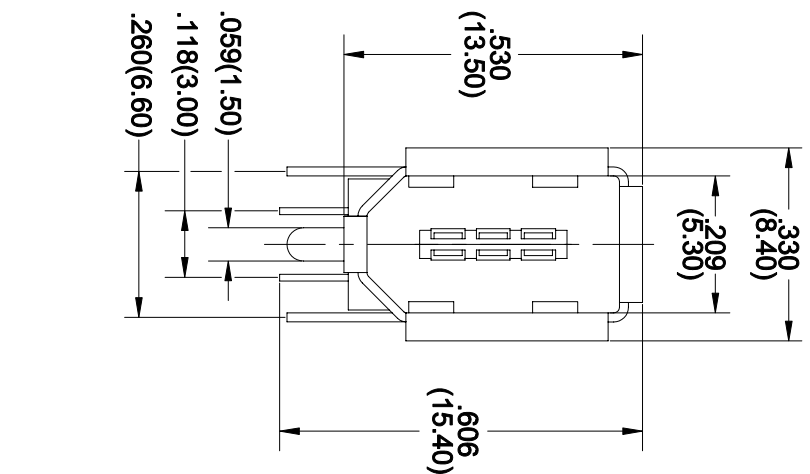


THIS IS A C.A.D. GENERATED DRAWING
DO NOT MAKE MANUAL REVISIONS TO MASTER.



ISSUE NUMBER
ORIGINAL

①



RECOMMENDED PCB LAYOUT

MATERIALS

INSULATOR: LCP OR NYLON 6T COLOR BLACK
CONTACTS: BRASS, 30 MICRONS OF GOLD
PLATED ON MATING AREA TIN/LEAD ON TAILS
SHELL: BRASS, TIN PLATED

ELECTRICAL SPECIFICATIONS

CONTACT CURRENT RATING: 1 AMPERE
DMV: 500 VAC R.M.S.
INSULATION RESISTANCE: 500 MEGOHMS MIN.
CONTACT RESISTANCE: 30 MILLOHMS MAX.
OPERATING TEMPERATURE: -55°C TO +105°C

**IEEE 1394 VERTICAL R/A CONNECTOR
(RECEPTACLE)**

ACAD REF: DWG. NO. 693-006-621-003

DRAWN: F. BRIONES DATE: APR. 22/04

PART NUMBER

693-006-621-003

DRAWING NUMBER

693-006-621-003

ISSUE

1



EDAC INC.
TORONTO, ONTARIO
CANADA

THESE DRAWINGS AND SPECIFICATIONS
ARE THE PROPERTY OF EDAC INC. AND
OR USED AS THE BASIS FOR OTHER
MANUFACTURE OR SALE OF APPARATUS
WITHOUT WRITTEN PERMISSION.

YOUR CONNECTION TO QUALITY & SERVICE