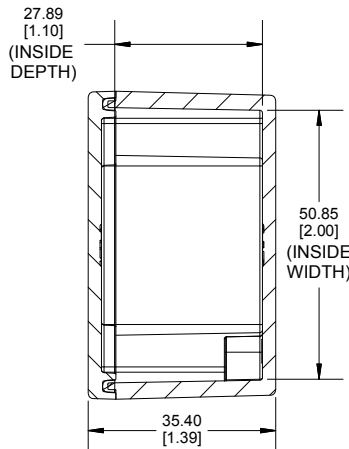
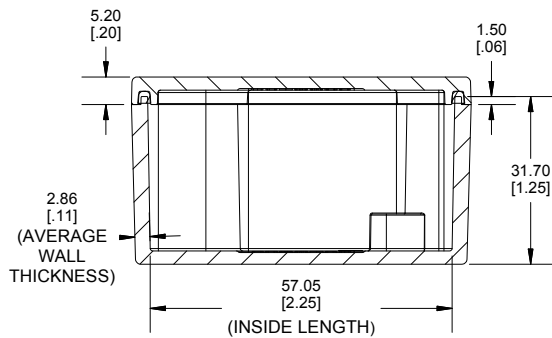
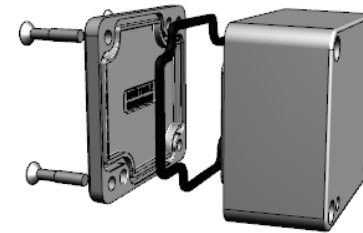


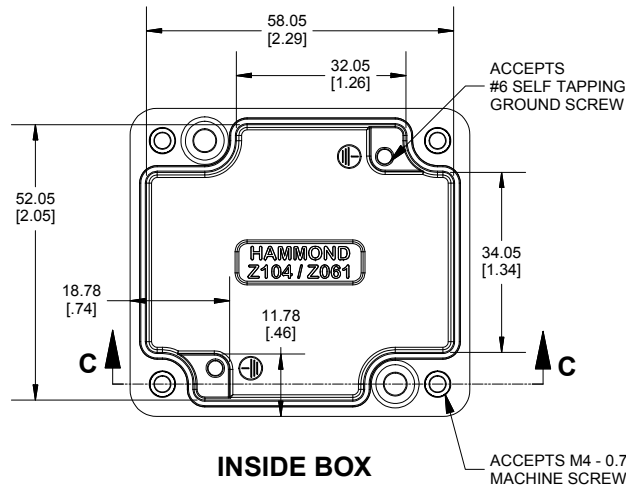
**TOP VIEW**



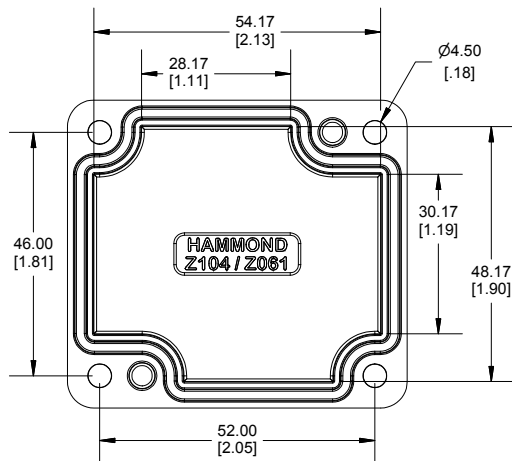
**SECTION A-A  
END VIEW**



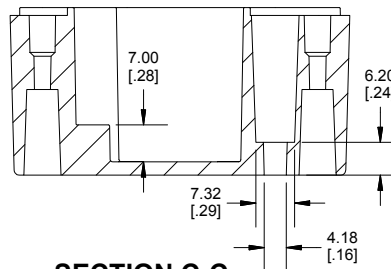
**SECTION B-B  
SIDE VIEW**



**INSIDE BOX**



**INSIDE LID**



**SECTION C-C  
MOUNTING HOLE**

**UL** US LISTED  
FILE #E65324  
NEMA 4, 4X, 6, 6P

Enclosures can be Factory Modified ( Milling, Drilling, Printing etc.)  
Contact Factory [mjm@hammondmfg.com](mailto:mjm@hammondmfg.com) for quotes  
Solid models of this enclosure available in STEP or IGES.  
(Part number and text placement/orientation on our products are subject to change,  
we do not recommend using them as a locating reference for modification purposes)

<b>NOTE</b>	
Purchased assembly includes box, lid, silicone gasket, 4 cover screws and 2 ground screws with washers. Box and lid are made from Diecast Aluminum Alloy.	
<b>Recommended cover screw Torque 5-7.5 lbf.in ( 50 -75 cN.m)</b>	
<b>1590Z061</b>	
<b>1590Z061 Enclosure</b>	
Natural Enclosure	1590Z061
Black Enclosure	1590Z061BK
Grey Enclosure - RAL7001 Gloss	1590Z061GY
<b>ACCESSORIES</b>	
Pre-Formed Silicone Gasket (2 Pack)	1590Z061G
Ground Hardware (50 Pack)	
[Copper #6-32X5/16 Self-Tapping / #6 Bronze lock Washer]	SCG060-50
Stainless Steel Cover screws (50 pkg) [M4 - 0.7 x 20mm]	SC1550Z103-50

**Dimensions:**  
mm  
[inches]

**HAMMOND  
MANUFACTURING**  
**1590Z061**  
[www.hammondmfg.com](http://www.hammondmfg.com)