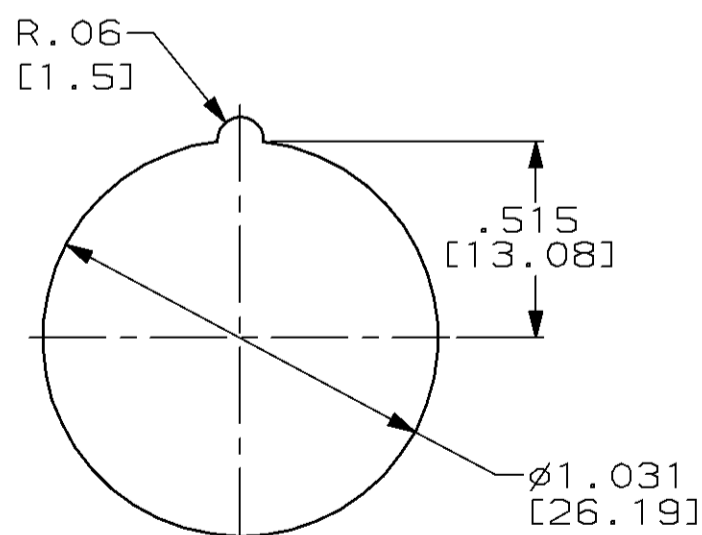
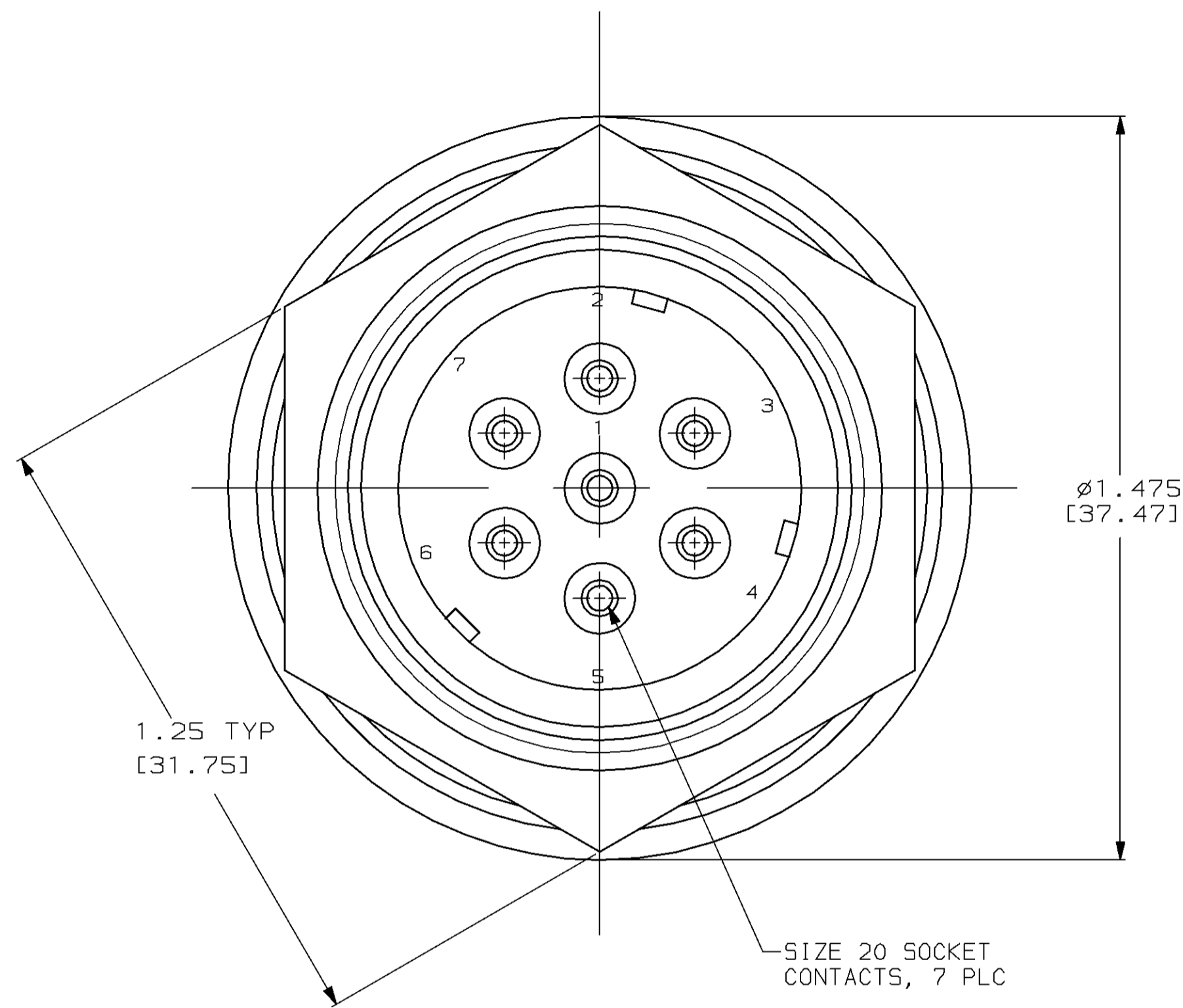
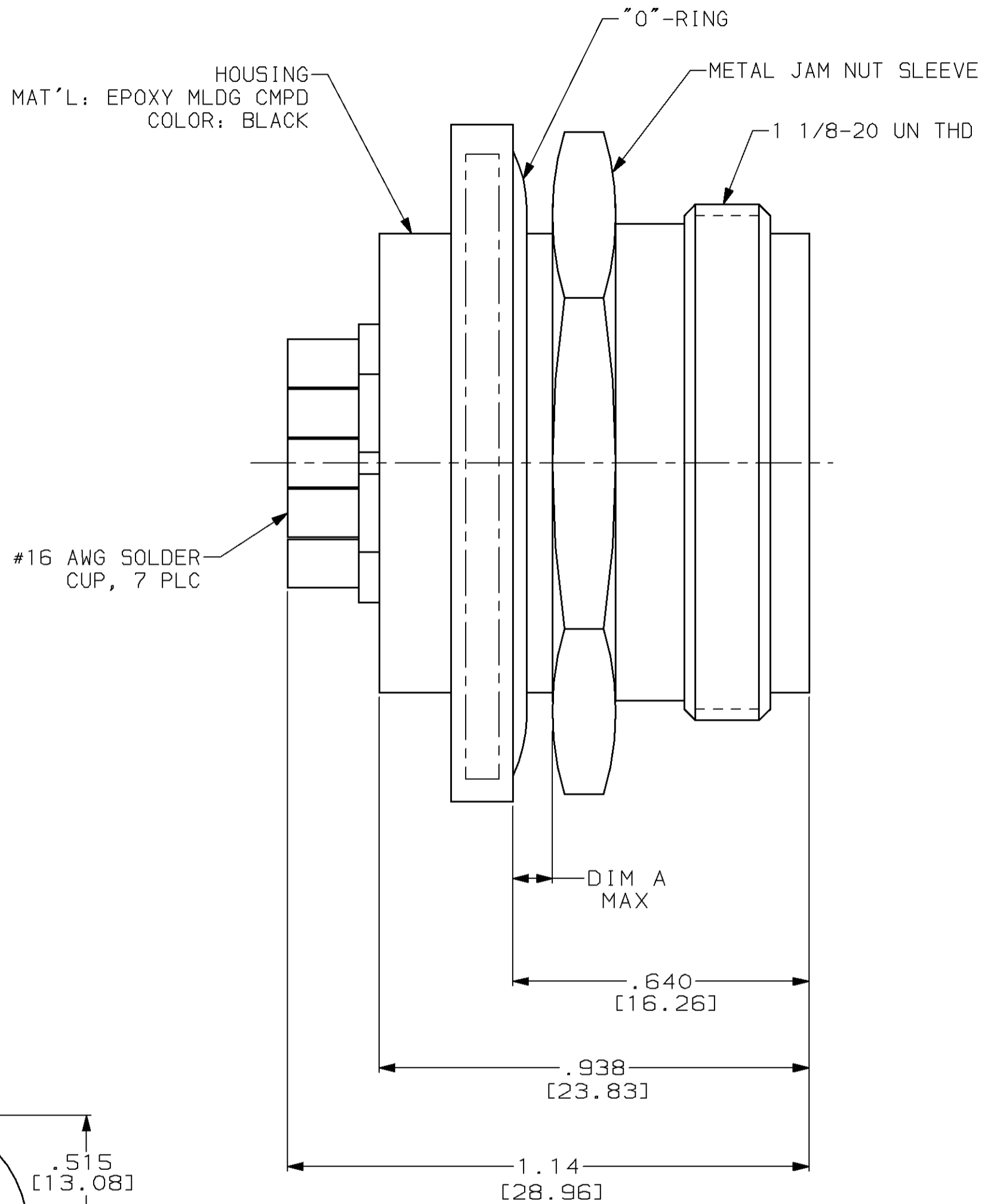


THIS DRAWING IS UNPUBLISHED. RELEASED FOR PUBLICATION
 © COPYRIGHT 19 BY AMP INCORPORATED. ALL RIGHTS RESERVED.

LOC		DIST		REVISIONS			
P	LTR	DESCRIPTION		DATE	DWN	APVD	
G		ADD -3 PER 0600-6354-97		5-97	CT	DE	



RECOMMENDED PANEL CUTOUT
SCALE 2:1

1. THIS RECEPTACLE IS NOT HERMETICALLY SEALED.
2. MARKED PER MIL-STD-130.

.060 [1.52]	862004-3
.125 [3.18]	862004-1
DIM A MAX PANEL THICKNESS	PART NUMBER

THIS DRAWING IS A CONTROLLED DOCUMENT.		DWN C.C. THOMAS 7-19-96	AMP Incorporated Harrisburg, PA 17105-3608	
DIMENSIONS: INCHES [mm]		CHK S. GLATFELTER 8-13-96	NAME	
TOLERANCES UNLESS OTHERWISE SPECIFIED:		APVD S. GLATFELTER 8-13-96	7 PIN MINIATURE RCPT KIT, LGH	
0 PLC ±-		PRODUCT SPEC	SIZE	CAGE CODE
1 PLC ±-		APPLICATION SPEC	A2	00779
2 PLC ±.01 [0.3]		WEIGHT	DRAWING NO	
3 PLC ±.010 [0.25]			C-862004	
4 PLC ±-			SCALE	SHEET
ANGLES ±-			4:1	1 OF 1
FINISH			REV	G
MATERIAL SEE CALLOUTS	FINISH SEE CALLOUTS	CUSTOMER DRAWING		