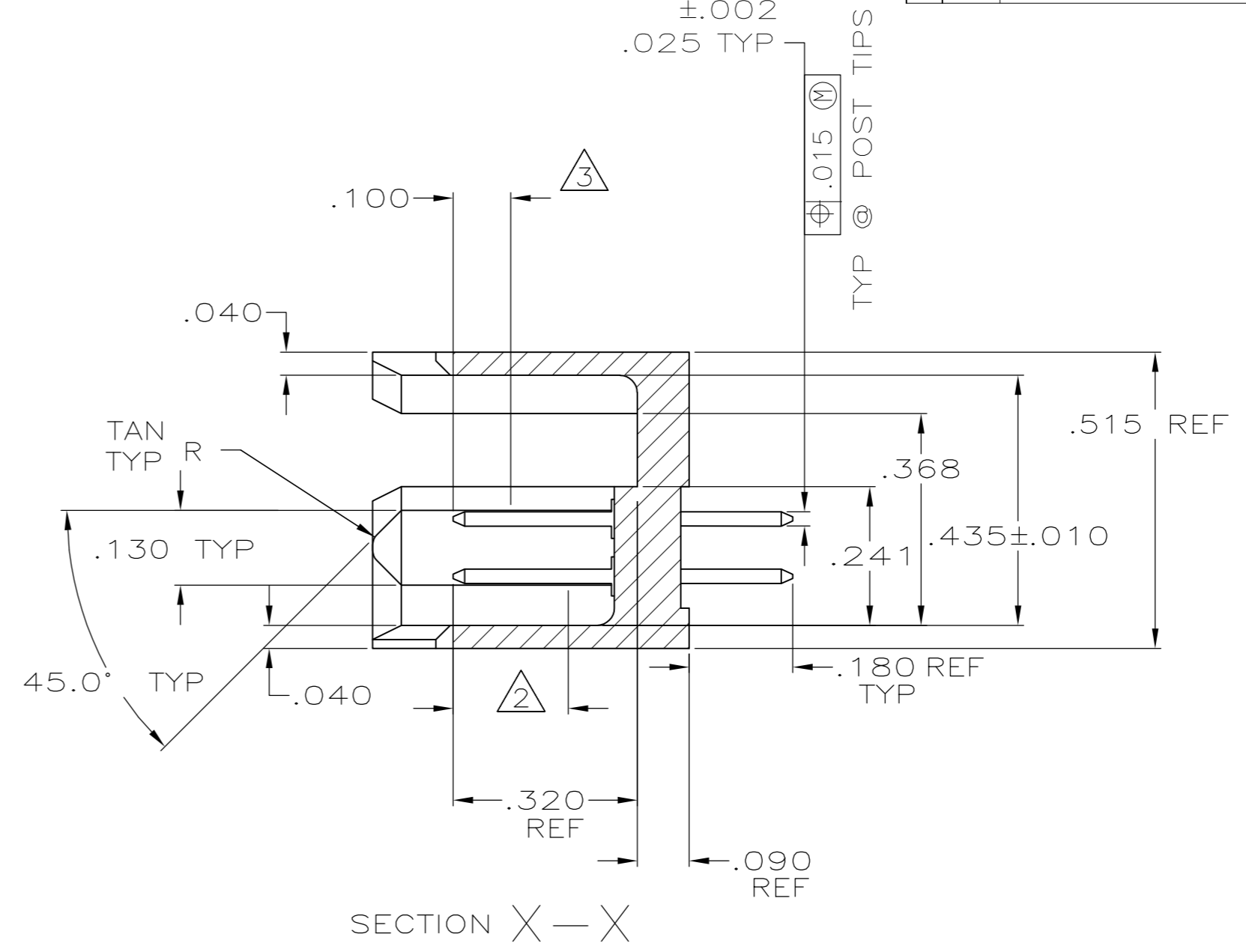
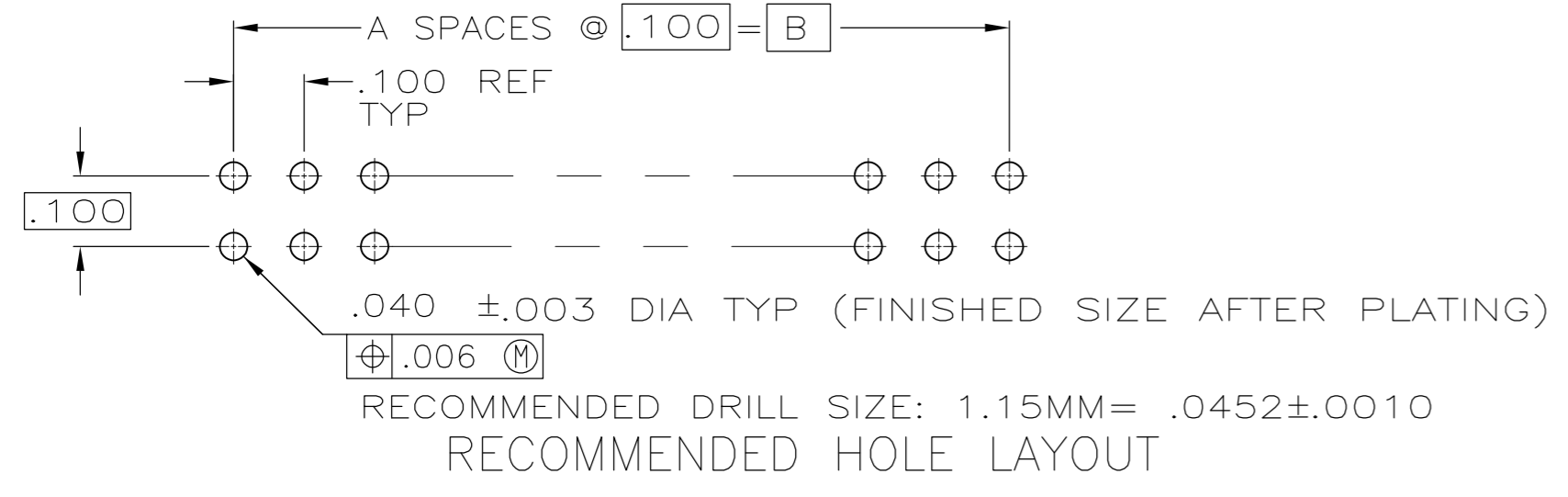


THIS DRAWING IS UNPUBLISHED. RELEASED FOR PUBLICATION
 © COPYRIGHT - By - ALL RIGHTS RESERVED.

Loc		DIST		REVISIONS			
P	LTR	DESCRIPTION	DATE	DWN	APVD		
AD	00						
	N5	REVISED PER ECO-11-004587	11MAR11	RK	HMR		



SECT Y-Y



SECTION X-X

- ① FINISH OVER INDICATED AREA: .000100-.000200 BRIGHT TIN LEAD OVER .000050 NICKEL.
- ② FINISH OVER INDICATED AREA: .000015 GOLD OVER .000050 NICKEL.
- ③ POINT OF MEASUREMENT FOR PLATING THICKNESS.
- ④ RECESSED DATE CODE AND CSA LOGO.
- ⑤ OBSOLETE PART NUMBER.
- ⑥ FINISH OVER INDICATED AREA: .000100-.000200 MATTE TIN OVER .000050 NICKEL.
- ⑦ PRELIMINARY PART.
- ⑧ ROHS 2002/95/EC COMPLIANT
- ⑨ HEADER: GLASS-FILLED, FLAME RETARDANT THERMOPLASTIC COLOR: BLACK POST: COPPER ALLOY
- ⑩ OBSOLETE PARTS: OBSOLETE CIS STREAMLINING PER D.RENAUD/D.SINISI

THIS DRAWING IS A CONTROLLED DOCUMENT.		DWN	B. HAYMAKER	30MAR00		TE Connectivity	
DIMENSIONS: mm		CHK	J. GESFORD	30MAR00		NAME	
TOLERANCES UNLESS OTHERWISE SPECIFIED:		APVD	J. GESFORD	30MAR00	PRODUCT SPEC		
0 PLC ± -		APPLICATION SPEC		SIZE		CAGE CODE	DRAWING NO
1 PLC ± -		WEIGHT		A2		00779	C=102567
2 PLC ± -		CUSTOMER DRAWING		SCALE		4:1	SHEET
3 PLC ± .005		MATERIAL		RESTRICTED TO		1 of 2	
4 PLC ± -		FINISH		REV		N5	
ANGLES ± -		SEE NOTES					

THIS DRAWING IS UNPUBLISHED.
 RELEASED FOR PUBLICATION
 © COPYRIGHT - By - ALL RIGHTS RESERVED.

LOC	DIST	REVISIONS					
		P	LTR	DESCRIPTION	DATE	DWN	APVD
AD	00	-	-	SEE SHEET 1	-	-	-

△5		1.870	1.980	1.900	1.500	15	32	△8	7-102567-9
△10	OBSOLETE	9.270	9.380	9.300	8.900	89	180	△8	7-102567-8
△5		7.670	7.780	7.700	7.300	73	148	△8	7-102567-7
△5		6.670	6.780	6.700	6.300	63	128	△8	7-102567-6
△5		4.970	5.080	5.000	4.600	46	94	△8	7-102567-5
△5		2.470	2.580	2.500	2.100	21	44	△8	7-102567-4
△10	OBSOLETE	.970	1.080	1.000	.600	6	14	△8	7-102567-3
△5		8.270	8.380	8.300	7.900	79	160	△8	7-102567-2
△10	OBSOLETE	10.270	10.380	10.300	9.900	99	200	△8	7-102567-1
△5		7.270	7.380	7.300	6.900	69	140	△8	7-102567-0
△10	OBSOLETE	6.770	6.880	6.800	6.400	64	130	△8	6-102567-9
△5		1.070	1.180	1.100	.700	7	16	△8	6-102567-8
△10	OBSOLETE	4.570	4.680	4.600	4.200	42	86	△8	6-102567-7
△5		3.870	3.980	3.900	3.500	35	72	△8	6-102567-6
△10	OBSOLETE	5.770	5.880	5.800	5.400	54	110	△8	6-102567-5
△5		4.770	4.880	4.800	4.400	44	90	△8	6-102567-4
△2	△6	1.770	1.880	1.800	1.400	14	30	△8	6-102567-3
△5		2.270	2.380	2.300	1.900	19	40	△8	6-102567-2
△10	OBSOLETE	1.270	1.380	1.300	.900	9	20	△8	6-102567-1
△5		3.770	3.880	3.800	3.400	34	70	△8	6-102567-0
△10	OBSOLETE	5.270	5.380	5.300	4.900	49	100	△8	5-102567-9
△5		4.270	4.380	4.300	3.900	39	80	△8	5-102567-8
△10	OBSOLETE	6.270	6.380	6.300	5.900	59	120	△8	5-102567-7
△5		2.770	2.880	2.800	2.400	24	50	△8	5-102567-6
△10	OBSOLETE	5.070	5.180	5.100	4.700	47	96	△8	5-102567-5
△5		3.270	3.380	3.300	2.900	29	60	△8	5-102567-4
△5		2.070	2.180	2.100	1.700	17	36	△8	5-102567-3
△5		1.470	1.580	1.500	1.100	11	24	△8	5-102567-2
△5		.870	.980	.900	.500	5	12	△8	5-102567-1
FINISH		E	D	C	B	A	NO. OF POSN	PART NUMBER	

FINISH	E	D	C	B	A	NO. OF POSN	PART NUMBER		
△2	△6	.870	.980	.900	.500	5	12	3-102567-0	
△8	△7	OBSOLETE	1.870	1.980	1.900	1.500	15	32	2-102567-9
△10	OBSOLETE	9.270	9.380	9.300	8.900	89	180	2-102567-8	
OBSOLETE		7.670	7.780	7.700	7.300	73	148	2-102567-7	
OBSOLETE		6.670	6.780	6.700	6.300	63	128	2-102567-6	
OBSOLETE		4.970	5.080	5.000	4.600	46	94	2-102567-5	
OBSOLETE		2.470	2.580	2.500	2.100	21	44	2-102567-4	
OBSOLETE		.970	1.080	1.000	.600	6	14	2-102567-3	
OBSOLETE		8.270	8.380	8.300	7.900	79	160	2-102567-2	
OBSOLETE	△5	10.270	10.380	10.300	9.900	99	200	2-102567-1	
OBSOLETE	△5	7.270	7.380	7.300	6.900	69	140	2-102567-0	
OBSOLETE	△5	6.770	6.880	6.800	6.400	64	130	1-102567-9	
OBSOLETE	△5	1.070	1.180	1.100	.700	7	16	1-102567-8	
△10	OBSOLETE	4.570	4.680	4.600	4.200	42	86	1-102567-7	
△10	OBSOLETE	3.870	3.980	3.900	3.500	35	72	1-102567-6	
△10	OBSOLETE	5.770	5.880	5.800	5.400	54	110	1-102567-5	
△10	OBSOLETE	4.770	4.880	4.800	4.400	44	90	1-102567-4	
△1	△2	1.770	1.880	1.800	1.400	14	30	1-102567-3	
△10	OBSOLETE	2.270	2.380	2.300	1.900	19	40	1-102567-2	
△10	OBSOLETE	1.270	1.380	1.300	.900	9	20	1-102567-1	
△10	OBSOLETE	3.770	3.880	3.800	3.400	34	70	1-102567-0	
△10	OBSOLETE	5.270	5.380	5.300	4.900	49	100	102567-9	
△10	OBSOLETE	4.270	4.380	4.300	3.900	39	80	102567-8	
△10	OBSOLETE	6.270	6.380	6.300	5.900	59	120	102567-7	
△10	OBSOLETE	2.770	2.880	2.800	2.400	24	50	102567-6	
△10	OBSOLETE	5.070	5.180	5.100	4.700	47	96	102567-5	
△10	OBSOLETE	3.270	3.380	3.300	2.900	29	60	102567-4	
△10	OBSOLETE	2.070	2.180	2.100	1.700	17	36	102567-3	
△10	OBSOLETE	1.470	1.580	1.500	1.100	11	24	102567-2	
△10	OBSOLETE	.870	.980	.900	.500	5	12	102567-1	
FINISH		E	D	C	B	A	NO. OF POSN	PART NUMBER	

THIS DRAWING IS A CONTROLLED DOCUMENT.		DWN B. HAYMAKER	30MAR00	STE TE Connectivity
DIMENSIONS: mm		CHK J. GESFORD	30MAR00	
TOLERANCES UNLESS OTHERWISE SPECIFIED:		APVD J. GESFORD	30MAR00	
0 PLC ± - 1 PLC ± - 2 PLC ± - 3 PLC ± .005 4 PLC ± - ANGLES ± -		PRODUCT SPEC		NAME HEADER ASSEMBLY, MOD II, .100 X .100CL
MATERIAL -		FINISH SEE NOTES	WEIGHT -	SIZE A2
		CUSTOMER DRAWING	SCALE 4:1	CAGE CODE 00779
			SHEET 2 of 2	DRAWING NO C-102567
			REV N5	RESTRICTED TO -